

**EN**

**BRAMSHAW ELECTRIC STOVE  
INSTALLATION & USER INSTRUCTIONS**



**BRITISH  
FIRES**

## // INSTALLATION & USER INSTRUCTIONS

Section	Contents	Page
1.0	Important Notes	02-03
2.0	Installation Requirements	03
3.0	Appliance Data for Bramshaw Stove	04
4.0	Unpacking the Stove	05
5.0	Door Adjustment	05
6.0	Component Checklist	05
7.0	Site Requirements	05
8.0	Clearances	06
9.0	Installation - Wall Mounted	07-11
9.1	Installation - Log Stand	12-13
9.2	Installation - Pedestal	14
9.3	Installation - Stove Pipe	15-16
10.0	Operating the Appliance	17-20
11.0	Troubleshooting Guide	21
12.0	Cleaning & Maintenance	22
13.0	Troubleshooting Guide	23
14.0	Spares	23
15.0	Servicing	23-24
16.0	Hard Wiring the Appliance	24
17.0	Bramshaw Stove Dimensions	25
18.0	Terms and Conditions	26

# // 1.0 IMPORTANT NOTES

IMPORTANT – THESE INSTRUCTIONS SHOULD BE READ CAREFULLY AND RETAINED FOR FUTURE REFERENCE.

When using this electrical appliance, basic precautions should be followed to reduce the risk of fire, electric shock and injury to person, including the following:

This heater must be used on an AC supply only and the voltage marked on the heater's rating label must correspond to the supply voltage.

DO NOT switch the appliance on until it is properly installed as described in this manual.

This appliance can be used by children aged from 8 years and above and persons with reduced physical, sensory or mental capabilities or lack of experience and knowledge if they have been given supervision or instruction concerning use of the appliance in a safe way and understand the hazards involved. Children shall not play with the appliance. Cleaning and user maintenance shall not be made by children without supervision.

Children of less than three years should be kept away unless continuously supervised. Children aged from three years and less than eight years shall only switch on/off the appliance provided that it has been placed or installed in its intended normal operating position and they have been given supervision or instruction concerning use of the appliance in a safe way and understand the hazards involved.

Children aged from three years and less than eight years shall not plug in, regulate and clean the appliance or perform user maintenance.

**CAUTION:** Some parts of this product can become very hot and cause burns. Particular attention has to be given where children and vulnerable people are present.


If the supply cord is damaged, it must be replaced by the manufacturer, its service agent or similarly qualified persons in order to avoid a hazard.

The heater must not be located immediately below a socket-outlet.

DO NOT use this heater in the immediate surroundings of a bath, a shower or a swimming pool.

**WARNING:** This heater is not equipped with a device to control the room temperature. Do not use this heater in small rooms when they are occupied by persons not capable of leaving the

room on their own, unless constant supervision is provided.

 **WARNING:** In order to avoid overheating, do not cover the heater.

DO NOT use this heater with a programmer, timer, separate remote-control system or any other device that switches the heater on automatically, since a fire risk exists if the heater is covered or positioned incorrectly.

**CAUTION:** In order to avoid a hazard due to inadvertent resetting of the thermal cutout, this appliance must not be supplied through an external switching device, such as a timer, or connected to a circuit that is regularly switched on and off by the utility.

Keep furniture, curtains and other fabric material away from the appliance.

DO NOT leave the appliance unattended during use.

From time to time, check the cord for damage. Never use the appliance if the cord or any part of the appliance shows signs of damage.

DO NOT run the mains cable under carpets, rugs etc.

DO NOT cover or obstruct the heater in any way. Overheating will result if it is accidentally covered.

Never immerse the product in water or any other liquids.

DO NOT use the appliance outdoors.

Before cleaning the appliance, ensure it is unplugged from the power and that it is completely cool.

DO NOT clean the appliance with abrasive chemicals.

Never use accessories that are not recommended or supplied by the manufacturer. It could cause danger to the user or damage to the appliance.

DO NOT insert or allow foreign objects to enter the inlet or outlet vents as this may result in electric shock, fire or damage to the appliance.

DO NOT install the fire using an extension cord.

Unplug from the mains supply if the appliance is not to be used for long periods.

This product is only suitable for well insulated spaces or occasional use.

## // 1.0 IMPORTANT NOTES - CONTINUED

Read all instructions before installing or using this heater.

This heater is hot when in use. To avoid burns, do not let bare skin touch hot surfaces. Keep combustible materials, such as furniture, pillows, bedding, papers, clothes, etc. and curtains at least 0.9 m from the front of the heater and keep them away from the sides and rear.

Extreme caution is necessary when any heater is used by or near children or invalids and whenever the heater is left operating and unattended.

Do not operate any heater after it malfunctions. Disconnect power at service panel and have heater inspected by a reputable electrician before reusing.

Do not use outdoors.

To disconnect heater, turn controls to off, and turn off power to heater circuit at main disconnect panel (or operate internal disconnect switch if provided).

Do not insert or allow foreign objects to enter any ventilation or exhaust opening as this may cause an electric shock or fire, or damage the heater.

To prevent a possible fire, do not block air intakes or exhaust in any manner.

A heater has hot and arcing or sparking parts inside. Do not use it in areas where gasoline, paint,

or flammable vapors or liquids are used or stored.

Use this heater only as described in this manual. Any other use not recommended by the manufacturer may cause fire, electric shock, or injury to persons.

This heater may include an audible or visual alarm to warn that parts of the heater are getting excessively hot. If the alarm sounds (or illuminates), immediately turn the heater off and inspect for any objects on or adjacent to the heater that may have blocked the airflow or otherwise caused high temperatures to have occurred. **DO NOT OPERATE THE HEATER WITH THE ALARM SOUNDING (OR ILLUMINATING).**

“CAUTION – High temperature, risk of fire, keep electrical cords, drapery, furnishings, and other combustibles at least 3 feet (0.9 m) from the front of the heater and away from the side and rear.

To reduce the risk of fire, do not store or use gasoline or other flammable vapors and liquids in the vicinity of the heater.

### **SAVE THESE INSTRUCTIONS**

## // 2.0 INSTALLATION REQUIREMENTS

The appliance is supplied with a pre-wired three pin E253075 VW-1 105° and 6 feet of electrical flex. It is therefore necessary for a suitable electrical socket to be located within this distance of the appliance and be easily accessible. The stove may be installed on a combustible or non-combustible floor, however the heater outlet is underneath the stove and certain types of floor covering may be affected by the heat produced by the stove. The ability of the floor covering to withstand the heat produced by the stove should be ascertained before proceeding with the installation of the stove. If in doubt then the stove should be mounted on

a non-combustible hearth or plinth which extends for at least 6 inches in front of the stove. This appliance should be positioned on a firm level surface. If the stove is to be sited in a fire surround then the suitability of the surround for use with electrical heaters should be established with the fire surround manufacturer. If fitted into an open draught fireplace, it is advisable to block off the chimney to reduce the risk of draught through the stove which may cause the safety cut out system in the fan heater to operate.

## // 3.0 APPLIANCE DATA FOR THE BRAMSHAW LED ELECTRIC STOVE

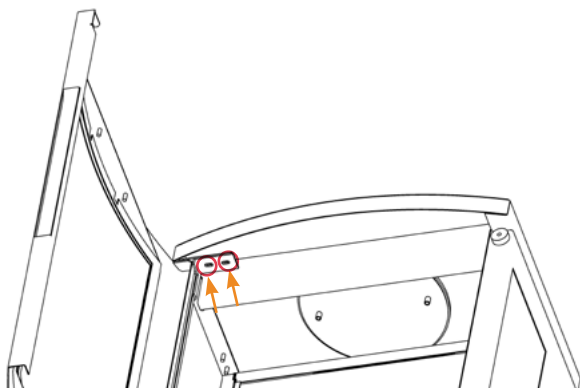
Weight (kg)	66 lbs.
Dimensions	H 39 <sup>7</sup> / <sub>8</sub> x W 15 <sup>3</sup> / <sub>4</sub> x D 12 <sup>1</sup> / <sub>5</sub> inches
Supply Voltage and Rating Power	120V AC, 60Hz
Heating Elements	1500W
Lighting	LED
Location	Indoor use only
Supply plug/cord	E253075 VW-1 105° / 6 feet long

Item	Symbol	Value	Unit	Item	Unit	Item	Unit
<b>Heat Output</b>				<b>Types of heat input, for electric storage local space heaters only</b>		<b>Other control options</b>	
Nominal heat output	P <sub>nom</sub>	1.5	KW	Manual heat charge control with integrated thermostat	N/A	Room temperature control with presence detection	No
Minimum heat output (indicative)	P <sub>min</sub>	0.75	KW	Manual heat charge control with room and/or outdoor temperature feedback	N/A	Room temperature control with open window detection	Yes
Maximum continuous heat output	P <sub>max, c</sub>	1.5	KW	Electronic heat charge control with room and/or outdoor temperature feedback	N/A	With distance control option	No
				Fan assisted heat output	N/A	With adaptive start control	No
<b>Auxiliary electricity consumption</b>				<b>Type of heat output/room temperature control</b>		With working time limitation	
At nominal heat output	e <sub>lmax</sub>	0.0	KW	Single stage heat output and no room temperature control	No	With black bulb sensor	No
At minimum heat output	e <sub>lmin</sub>	0.0	KW	Two or more manual stages no temperature control	No		
In standby mode	e <sub>lSB</sub>	0.45	KW	With mechanical thermostat room temperature control	No		
				With electronic room temperature control	No		
				Electronic room temperature control plus day timer	No		
				Electronic room temperature control plus week timer	Yes		

## // 4.0 UNPACKING THE STOVE

Read all the instructions before continuing to unpack or install this stove. Carefully lift the stove from the carton. Check that the contents correlate with the component checklist below. Please dispose of all packaging with care at your local recycling centre.

## // 5.0 DOOR ADJUSTMENT



You are able to adjust the door alignment by loosening the 2x nuts behind the door with an  $\frac{1}{8}$  in wrench. Once loosened, adjust the door to the preferred position, then tighten the 2x nuts with a  $\frac{1}{8}$  in wrench.

## // 6.0 COMPONENT CHECKLIST

Quantity	Description
1	Stove and heater assembly
1	User instruction booklet
1	Remote control handset
2	AA batteries
1	Loose log set (dependant on model)
1	Wall bracket (dependent on model)
2	Hooks (dependent on model)
2	Firebox screws (dependent on model)
4	Wall plugs (dependent on model)
4	Wall fixing screws (dependent on model)
1	Log box (dependent on model)
6	Firebox screws (dependent on model)
1	Pedestal (dependent on model)

## // 7.0 SITE REQUIREMENTS

It should be noted that the appliance creates warm convected air currents. These currents move heat from the room surroundings to, and up the wall surfaces adjacent to the heater.

Installing the heater next to these types of wall coverings or operating the heater where impurities in the air, (such as tobacco smoke) exist, may slightly discolor wall finishing.

If the appliance is to be secure on a dry lined or timber framed construction then the integrity and ability of the wall to secure the appliance must be confirmed. It is important in these circumstances that any vapor barrier and/or structural members of the house frame are not damaged.

If you are unsure of the ability of the wall to secure the appliance and/or which type of wall fixing to use, you should take professional advice and obtain the correct fixings. Alternatively, find a more suitable wall location.

DO NOT recess any part of the appliance into the wall, or run the supply cable under carpets.

DO NOT site in a position where curtains or drapes could cover the appliance, or other soft materials could cover e.g. below a coat rack.

DO NOT site behind an opening door where mechanical impact/damage could occur.

DO NOT site where the supply cable would become a trip hazard.

DO NOT sit, stand or forcefully pull on the appliance.

DO NOT obstruct, cover or force items into the openings.

DO NOT use the heater to dry clothes.

DO NOT site/use in an outdoor location(s).

It is important that the following clearances are maintained from the appliance to combustible materials. These clearances are dependent on the securing location as defined on the following pages.

## // 8.0 CLEARANCES TO COMBUSTIBLES

The minimum distance to the front of the appliance is 3 feet.

There are no clearances for above the appliance, apart from being clear of curtains and drapes.



3 feet

### // IMPORTANT:

Please read completely through the instructions and verify that all listed parts are present before assembly.

## // 9.0 INSTALLATION – WALL MOUNTED

CAUTION: DO NOT CONNECT THE APPLIANCE TO THE ELECTRICAL SUPPLY AT THIS TIME..

British Fires assumes absolutely no responsibility for injuries and damages that may occur due to improper installation or handling.

Remove any protective film coatings from the finished/decorative surfaces of the appliance, if any. After having selected the final position of the appliance taking into account the integrity of the wall the electric suite may be secured to the wall.

To ensure customer safety, be sure to design the installation so that the strength of both the wall and any wall fixings used are sufficient. The appliance should not be installed until all wet plastering and/or dry wall sanding and wall painting has been completed. Do not block the ventilation holes of the appliance. The wall onto which the appliance is installed must be flat. Install only on a vertical surface. Avoid sloped surfaces. Installation onto anything other than a vertical wall may result in fire, damage or injury.

If the appliance is to be mounted on the inner leaf of a conventional cavity brick wall, or a solid wall,

then the wall plugs and fixing screws provided may be used. Depending on the condition of the wall it may be necessary to use additional fixings. In this situation, any additional fixings and wall plugs should be of the same size and type as the ones provided.

If the appliance is to be mounted on a dry lined wall or a timber framed construction wall then

efforts should be made to fix one position vertically, into one of the wooden studs, or supporting wooden members of the wall using the fixing screws provided. If this is not achievable then the wall should be strengthened using appropriate building materials.

### WARNING

The wall where the appliance is to be installed must be capable of long-term support of the total load of the appliance. Measures should also be taken to ensure sufficient strength to withstand the force of earthquakes, vibration and other external forces. Plasterboard alone is not considered to be a structural material. It is not recommended to rely on plasterboard fixings alone to support the weight of the appliance.



Check regularly for security of wall fixings as appropriate. Also check security of supply cable and connections. If the supply cable becomes damaged, it must be replaced by a service agent or competent person, such as a qualified electrician.

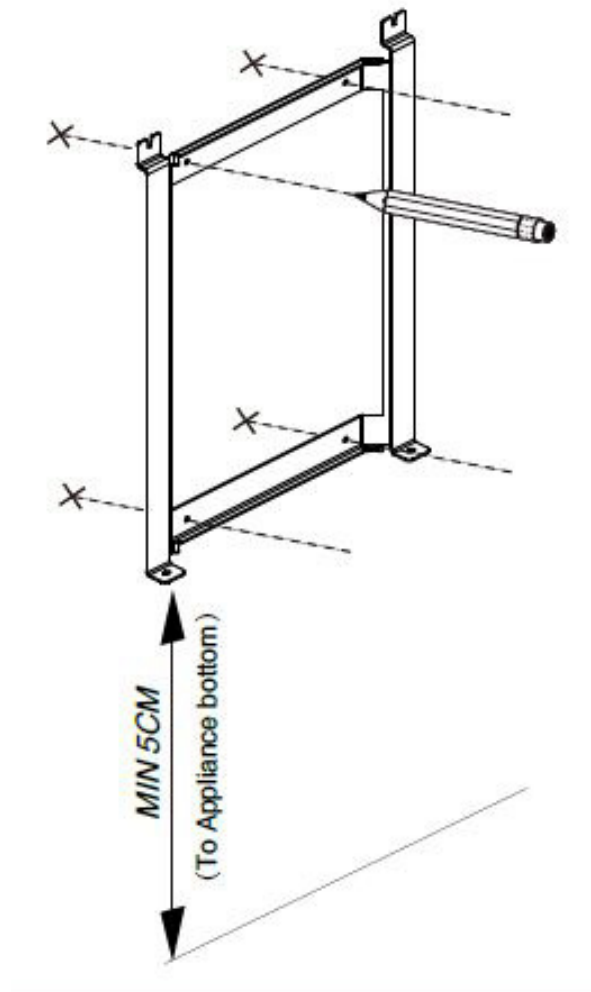
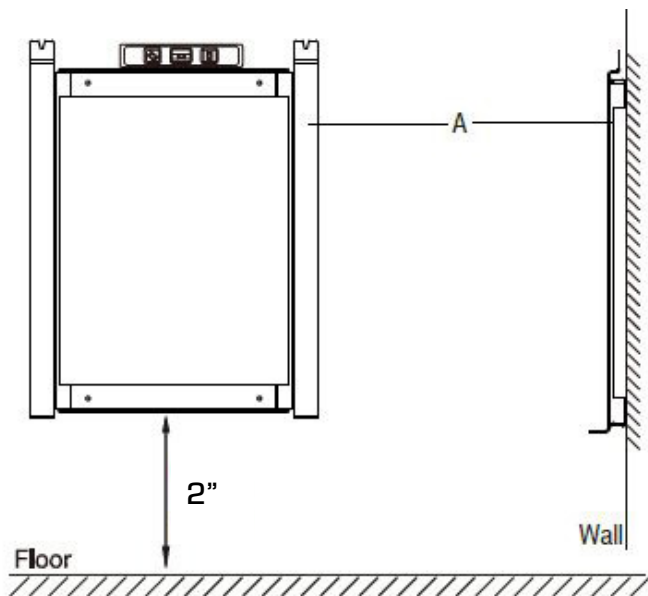


# // 9.0 INSTALLATION – WALL MOUNTED

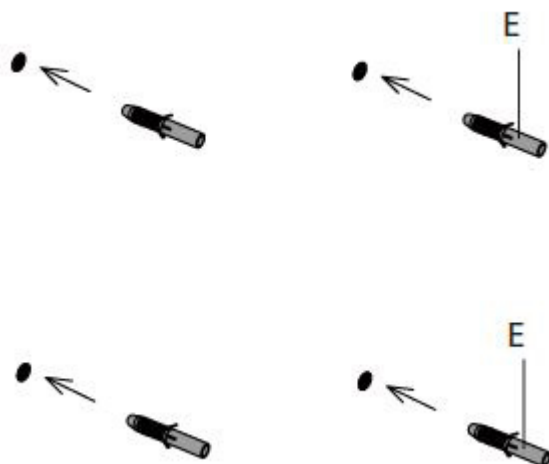
CONTINUED

1. Choose a suitable wall location where you would like the appliance to be installed.

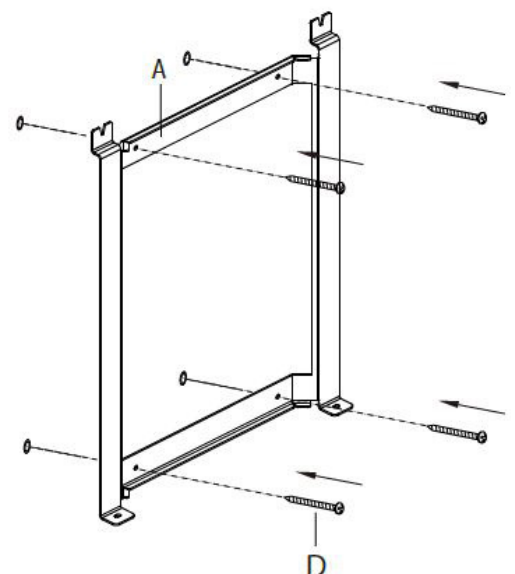
Position the Wall Bracket (A) in the desired location. Taking care to ensure that the bottom of the appliance is at least 2 inches from the floor. Please note that you will have to screw the bottom of the wall bracket to the appliance to secure it into position. Use a level to align the bracket and mark the four holes with a pencil.



2. Place the bracket to one side and drill 4x holes in the wall to a depth of 1 1/2 in. with an 1/8 in. drill bit. Insert the Wall Anchors (E) into the holes using a hammer, if required.



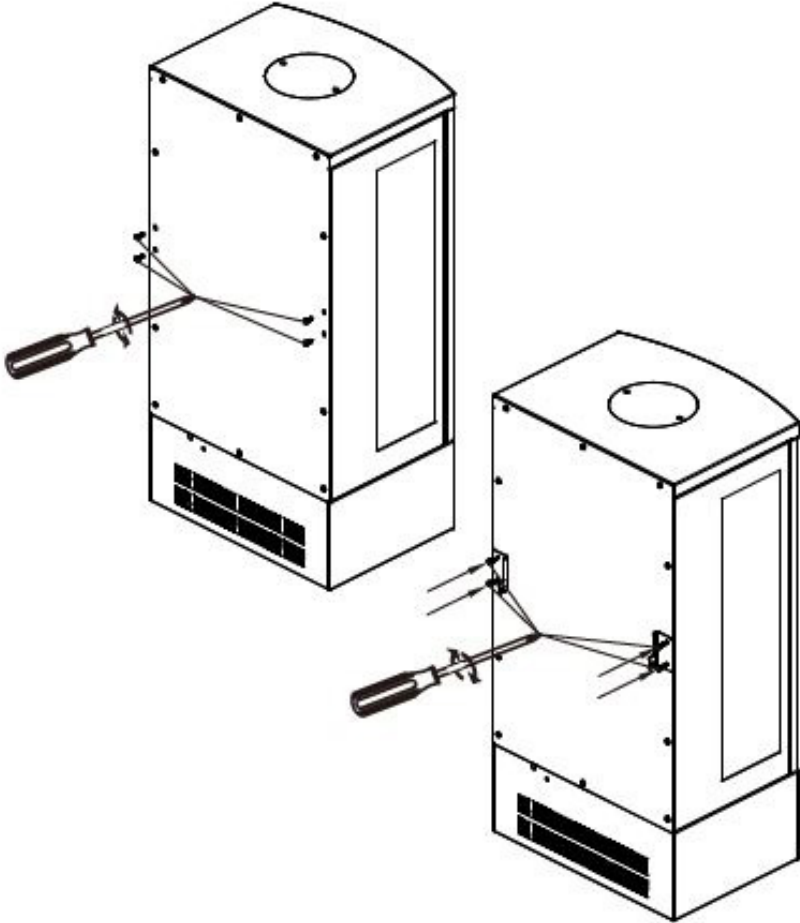
3. Secure the Top Wall Bracket (A) to the wall by the wall fastening screws provided (D) into the wall anchors through the wall bracket.



## // 9.0 INSTALLATION – WALL MOUNTED

CONTINUED

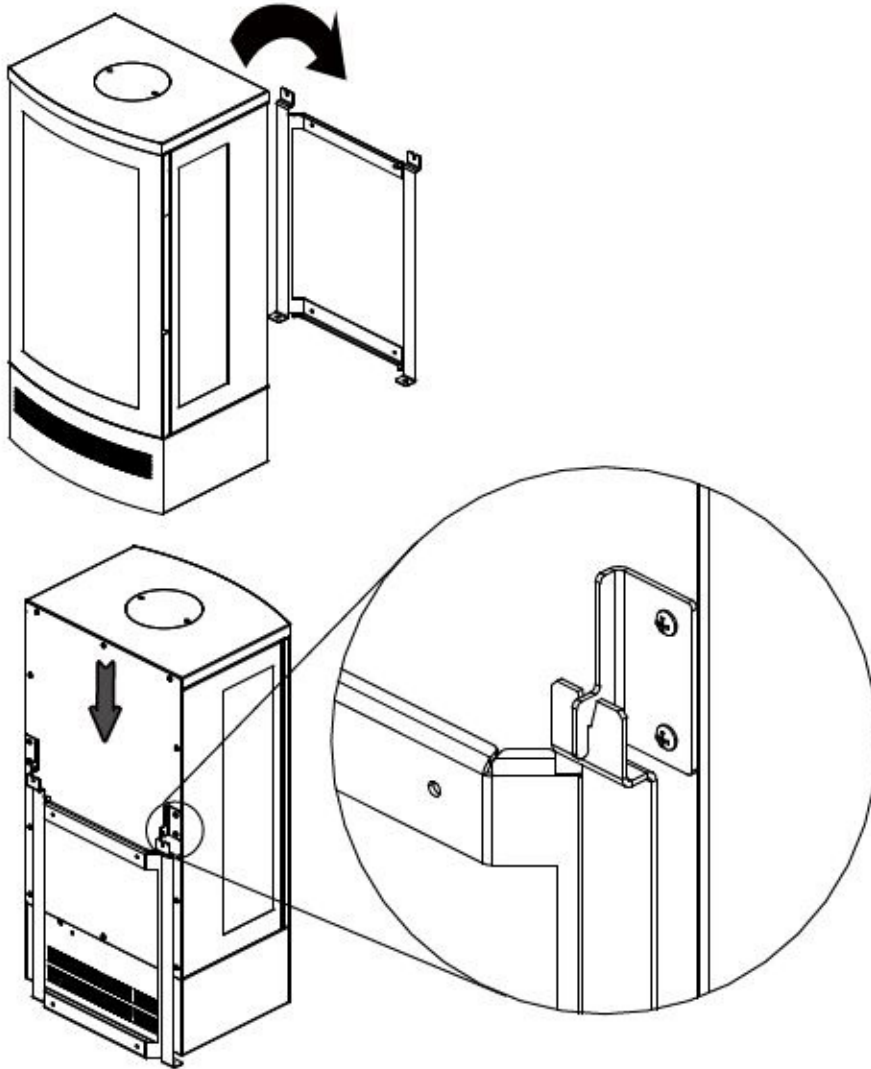
4. Remove 4x screws from the back of the appliance. Secure the Hooks (B) to the appliance by fastening the screws previously removed.



## // 9.0 INSTALLATION – WALL MOUNTED

CONTINUED

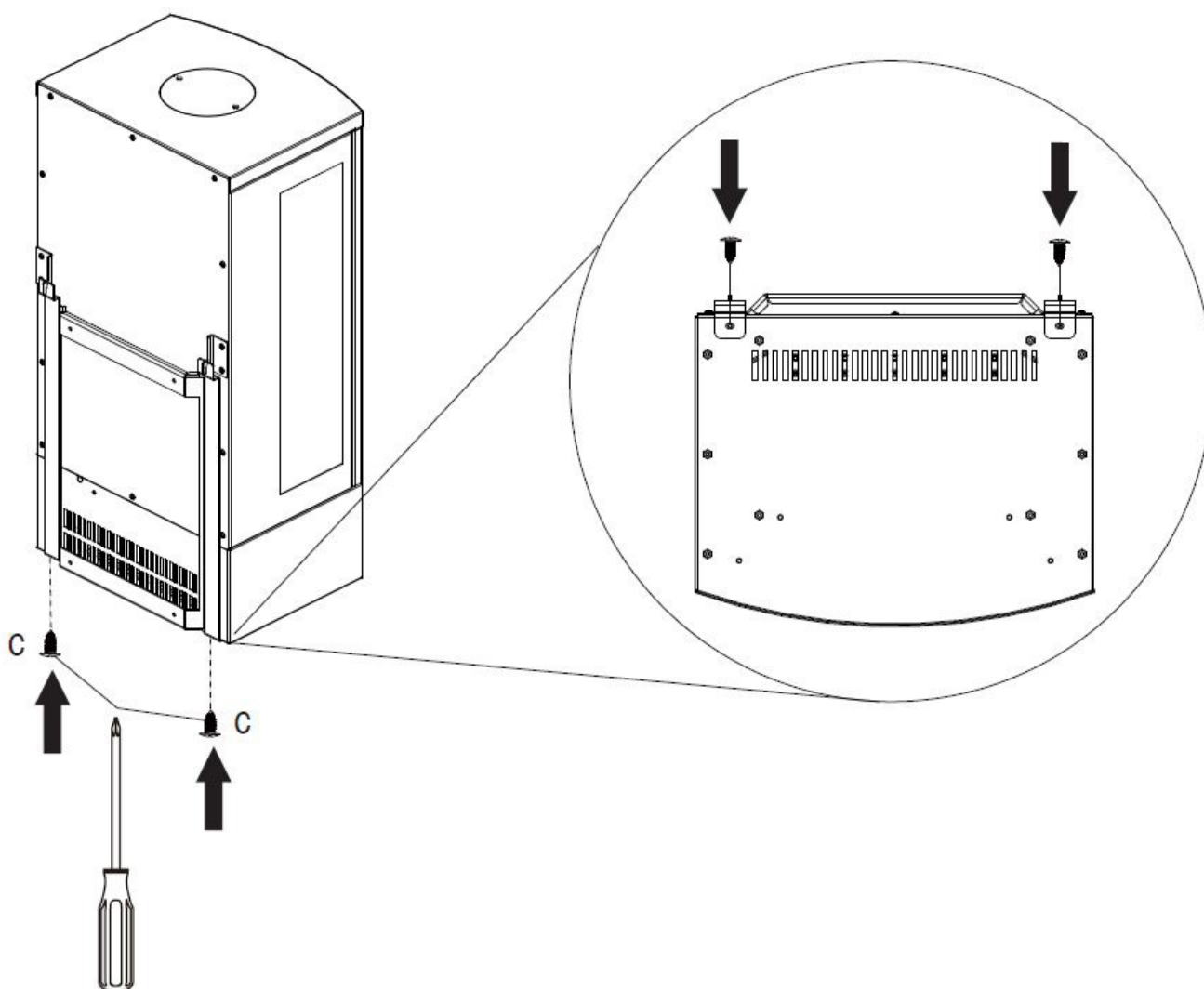
5. Use two people to lift the appliance and hang it onto the wall bracket (A).



## // 9.0 INSTALLATION – WALL MOUNTED

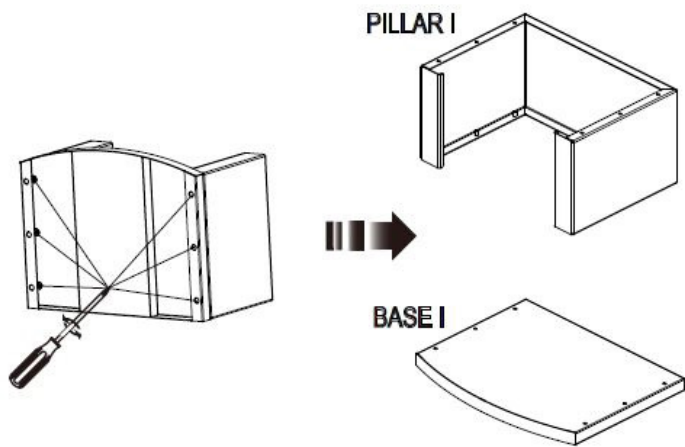
CONTINUED

6. Secure the bottom of the wall bracket to the bottom of the appliance with the firebox screws provided (C)

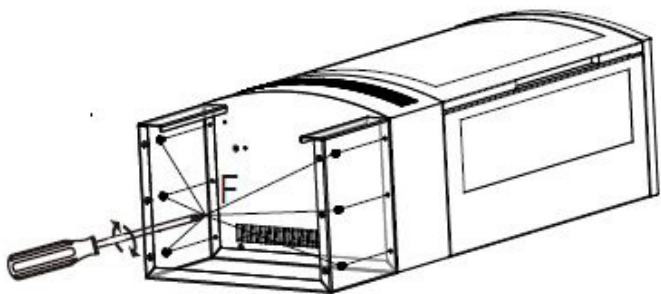


## // 9.1 INSTALLATION – FREE STANDING LOG STAND

1. Secure the bottom of the wall bracket to the bottom of the appliance with the firebox screws provided (C)



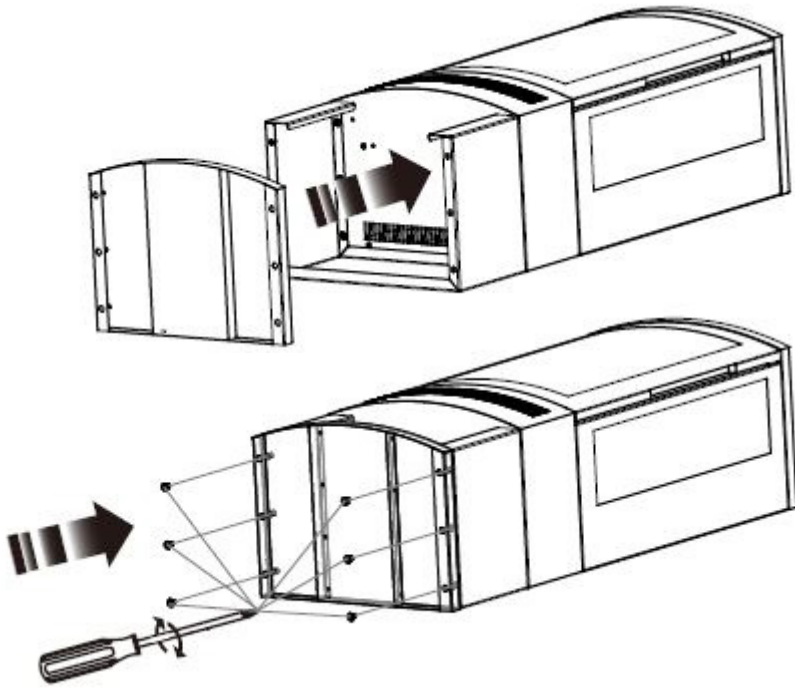
2. Lay the stove on its back and assemble the log box onto the bottom of the stove with firebox screws provided (F)



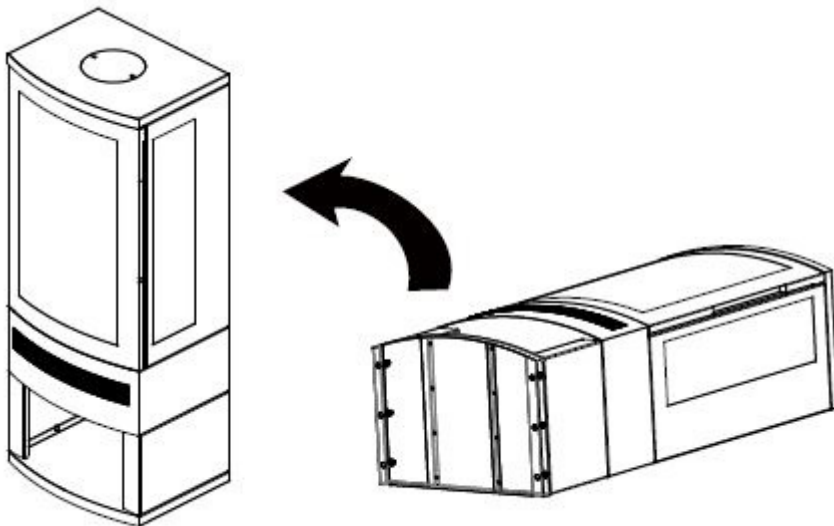
## // 9.1 INSTALLATION – FREE STANDING LOG STAND

CONTINUED

3. Secure the base to the pillar with the screws previously removed.

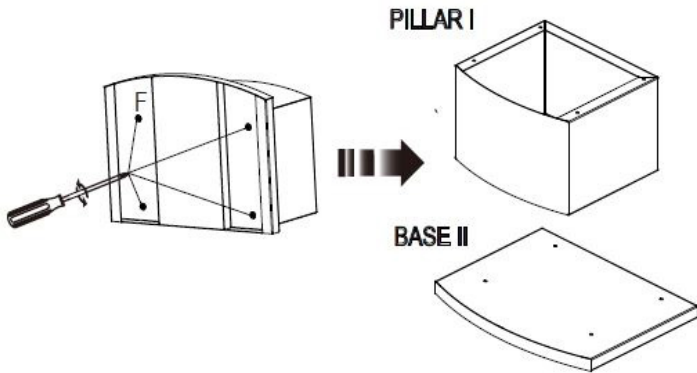


4. Secure the base to the pillar with the screws previously removed.

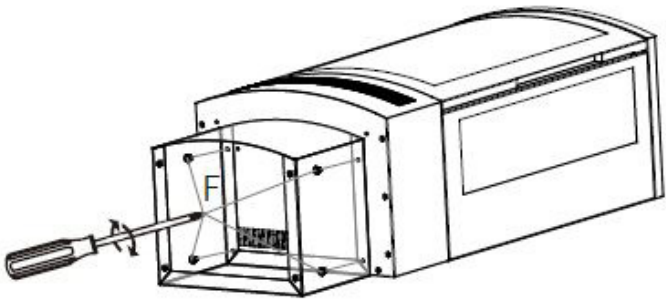


## // 9.2 INSTALLATION – FREE STANDING PEDESTAL

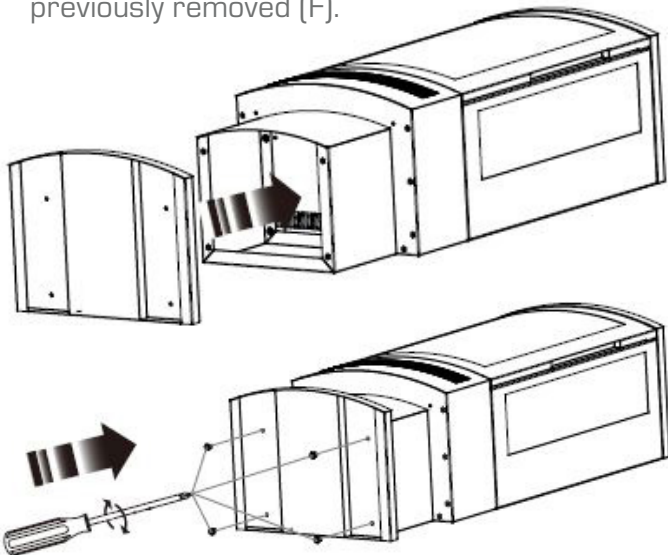
1. Disassemble the Pedestal by removing the 4x screws from the base.



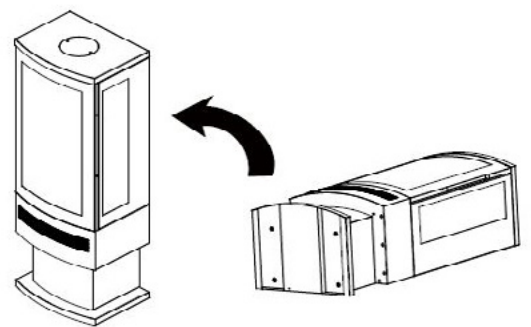
2. Lay the appliance on its back and assemble the Pillar on to the bottom of the appliance with the firebox provided screws (F).



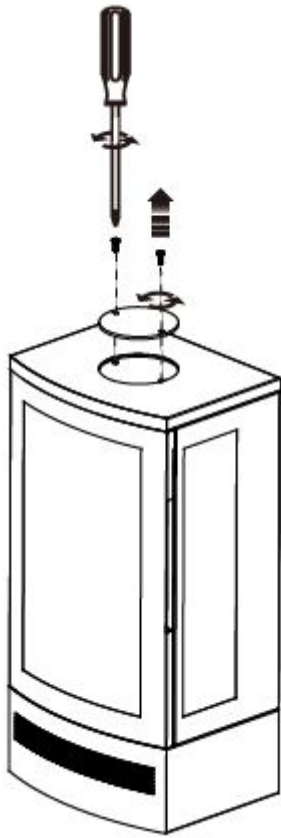
3. Secure the base to the pillar with the 4x screws previously removed (F).



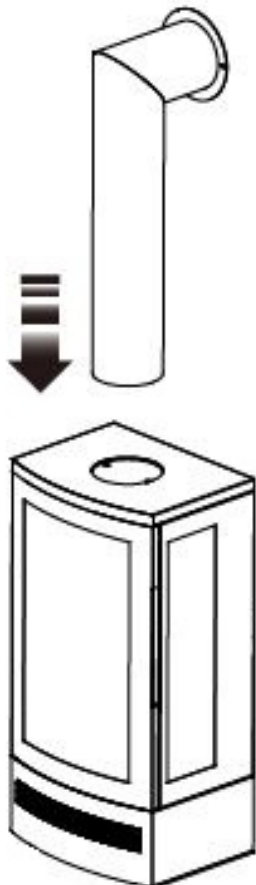
4. Secure the base to the pillar with the screws previously removed.



## // 9.3 INSTALLATION – OPTIONAL STOVE PIPE

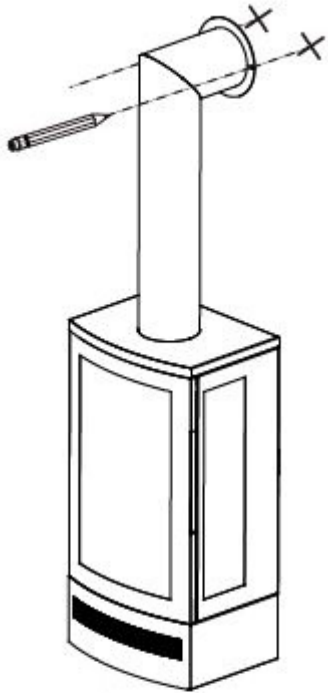


1. With a cross headed screw driver unscrew the two (2) countersunk head screws from the decorative grill plate on top of the appliance. Carefully lever the decorative grill plate off of the top of the appliance through the screw holes.

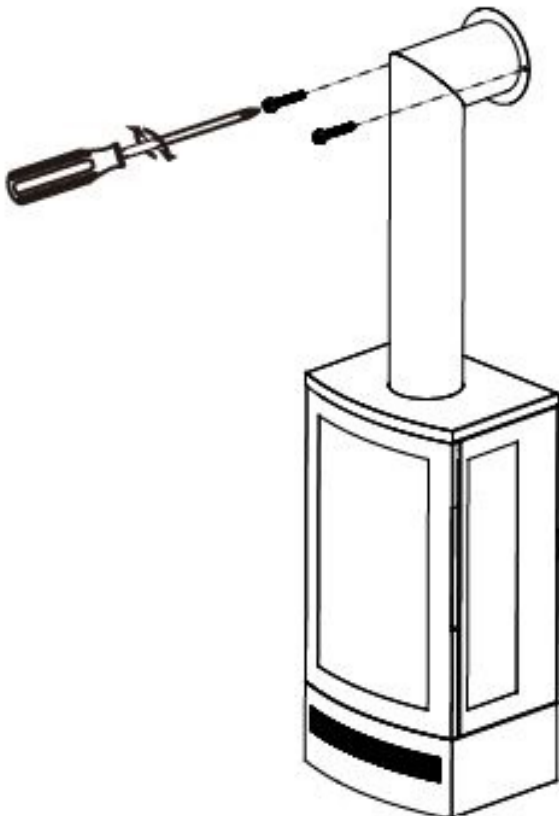


2. Using two (2) people, move the appliance to where you would like it to be installed. Insert the small end of the Flue Pipe into the top recessed hole on the appliance, also ensuring that the opposite flanged end of the pipe is touching the wall.





3. With a pencil, mark through the two (2) holes at the top of the Flue Pipe on the wall. Remove the Flue Pipe and drill two holes using a  $\frac{1}{8}$  in. drill bit, 1½ in. deep. (For hard wall installations only). For plasterboard walls use an alternative fixing method shown in section 8.0. Insert the wall anchors into the holes in the wall using a hammer.



4. Place the Flue Pipe back into its final position and secure the Flue Pipe to the wall by fastenings provided into the wall anchors.

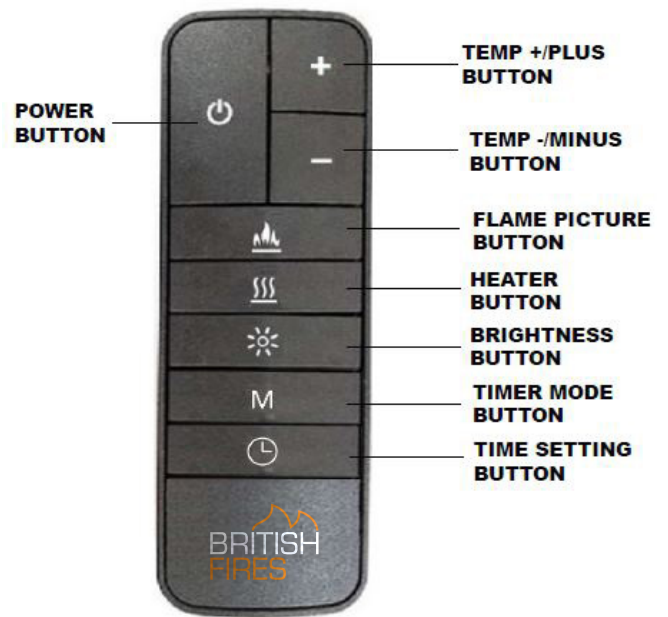
## // 10.0 OPERATING THE APPLIANCE

The appliance can be operated either by the control panel located on the front (behind the stove door) or by using the remote control supplied. For the appliance to operate, the manual ON/OFF switch, located on the left hand side of the control panel must be switched to the "I" position.

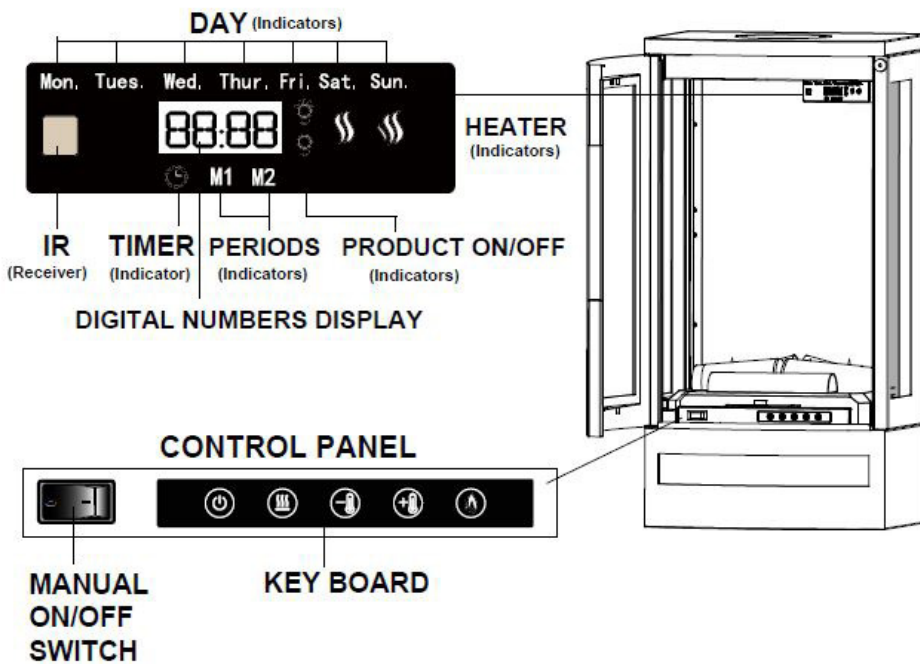
**NOTE:** Before attempting any operation with the remote control, press and slide the battery door (on the back of remote) open and insert two AAA batteries, checking that the ⊕ and ⊖ sides of the battery match inside the battery compartment, close the battery door.

The unit may emit a slight, harmless odour and smoke when first used. This odor & smoke is normal and it is caused by the internal heating of the internal heater parts and will not occur again.

The functions below can be controlled either by control panel on the appliance or by the remote control, before the POWER on the appliance is turned on, ensure the manual ON/OFF switch is switched to the "I" position



### DISPLAY-ON TOP RIGHT CORNER



## // POWERING THE APPLIANCE

Press the Power button to supply power to all functions of the fireplace and put the fireplace in a standby mode and the current room temperature will be shown on the display.

Press the Power button again to turn off all functions.

**NOTE:** All previous settings are held in memory, so the next time you power up the fireplace, the unit will turn on with the same settings.

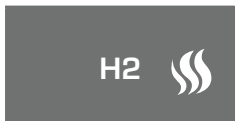
## // TEMPERATURE SETTING

Adjust the temperature to the desired setting (59° to 86°C Range) using the ⊕ & ⊖ buttons.

**NOTE:** The set temperature must be above the room temperature for the heating function to operate.

## // HEATER OPERATION

Press the Heater button to select Full Heat setting (1500W) and H2 with the red flame symbol will be displayed.



Press the Heater button again to select Half Heat setting (750W) and H1 with the orange flame symbol will be displayed.



## // OPEN WINDOW DEVICE FUNCTION:

This appliance has open window detection function, when the heater is on operation (H1 or H2), once the ambient temperature drops 9°F within 10 minutes, the digital display will continue to show 'ECO'. This means there is a window open or there may be a cooling item opened, at the same time the heater is off. Close the window or cooling items, press the heater button on the appliance or remote control to restart the heater.



**NOTE:** On either heater setting, the heat function will turn off when the room temperature reaches the set temperature. The heat function will automatically restart when the room temperature drops 41°F below the set temperature. Press the Heater button again to turn off the Heater function.

**NOTE:** The fan will run for approximately 30 seconds after the Heater function is turned off to remove any residual heat from the unit, to protect the control components from any potential overheating.

# // 10.0 OPERATING THE STOVE

CONTINUED

## // FLAME OPERATION

By pressing the Flame Picture button, you can select from four different Flame Picture options:

--	No Flame Picture
FE	Flame & Logs
-E	Logs Only
F-	Flame Only

**NOTE:** When one of these modes has been selected, this mode will be the default mode when the unit is turned on by manual or remote operation.

## // BRIGHTNESS OPERATION

The brightness setting of the Flame Picture can also be adjusted by pressing the Brightness button to select from the following levels:

H	Maximum Setting
C	Intermediate Setting
L	Minimum Setting

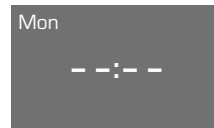
## // BY REMOTE CONTROL ONLY

### Setting the Time & Day (24 hour clock)

1. Press the Power button to turn the unit on.
2. Press & hold the Time Setting button for two seconds to display the time & day (no numbers shown as time not set)



3. Press the Time Setting button & the day setting will flash.



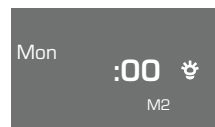
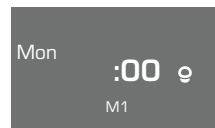
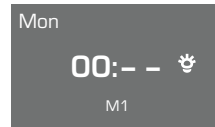
4. Adjust the day setting using ⊕ & ⊖ buttons.
5. Press the Time Setting button 'M' and the hour setting will flash. Adjust the hour setting using the ⊕ & ⊖ buttons.
6. Press the Time Setting button 'M' again and the minute setting will flash once more. Adjust the minute setting using the ⊕ & ⊖ buttons.
7. Press the Time Setting button 'M' a third time to exit the time/date set-up.

**NOTE:** The brightness setting can be only set by using the remote control.

## // SETTING THE WEEKLY TIMER

The Timer allows for two ON/OFF periods (M1/M2) for each day of the week and the timer can be set using the following procedure:

1. Press the Power button to turn the unit on.
2. Press & hold the Timer Mode 'M' button for two seconds to enter the timer settings. The settings for the 1st ON/OFF period (M1) for Monday will be shown with the 1st ON time & hour setting flashing.
3. Adjust the hour setting using the ⊕ & ⊖ buttons and press the Time Setting button to select the minute setting. With the minute setting flashing, adjust the minute setting using the ⊕ & ⊖ buttons.
4. Press the Time Setting button & the display will move to the 1st OFF time setting.
5. Repeat steps 2 & 3 to set the 1st OFF time.
6. Press the Time Setting button & the display will move to the 2nd ON/OFF period (M2) with the 2nd ON time setting displayed.
7. Repeat steps 2 to 5 to set the 2nd ON/OFF period.
8. Press the Time Setting button & the display will move to the 1st ON/OFF period (M1) for Tuesday with the 1st ON time setting displayed.
9. Repeat steps 2 through 8 for Tuesday's until Sunday's settings.
10. Having confirmed Sunday's settings, exit the timer settings by not using the remote for 10 seconds and the unit will default into normal operating mode. To activate the timer settings, press the Timer Mode button until the timer symbol is displayed on the screen.



**NOTE:** The time & day must be set before the Timer Mode can be activated. The unit can still be operated normally when in the timer mode using the Heater function setting flashing, adjust the minute setting using the ⊕ & ⊖ buttons.

## // 11.0 SAFETY CUTOUT SYSTEM

This product has one non-self-resetting overheat protection device (thermal cut-out) which will activate if the air inlets or outlets are obstructed. For safety reasons the fire will NOT switch on again automatically, the following procedure must be carried out before the fire can be operated.

**NOTE:** The visual effect will remain operational if the cutout is activated, only the fan heater is prevented from working.

Switch OFF the appliance at the wall socket or outlet. Leave the fire OFF for a period of no less than 10 minutes, ensuring all obstructions are removed. Switch the appliance ON at the wall. Ensure the appliance is turned ON at the control switches. If the fire fails to operate correctly, repeat the above procedure. If an attempt to switch on the appliance is made before the safety cutout has reset, the appliance may cutout for a further period of time. If the sequence has been followed correctly and the appliance still fails to function, check the fuse in the wall outlet. If this is not the cause, call an electrician or maintenance engineer.

## // 12.0 CLEANING AND MAINTENANCE

**Always disconnect the stove from the mains supply before undertaking any maintenance.**

For general cleaning use a soft clean duster – never use harsh abrasives or cleaners. The glass viewing screen should be cleaned carefully with a soft cloth.

If in doubt consult a qualified electrician. Refer to Section 3.0 Appliance Data for fuse specification. Excluding fuses, use only genuine manufacturers spare parts available from your supplier.

### // REPLACING THE REMOTE CONTROL BATTERY:

When the battery becomes weak, the range of the remote control becomes shorter. Replace with two (2) new AAA batteries.

1. Slide open the battery cover on the back of the remote control.
2. Insert two new AAA batteries into the remote control.
3. Place the battery cover back onto the remote.

**NOTE:** Keep the batteries out of the reach of children.



## // 13.0 TROUBLESHOOTING GUIDE

My Electric Stive Fire...	Remedy
is not switching on	Ensure mains switch is on. Replace the fuse in the plug.
is not emitting any heat	The fire is fitted with an energy saving thermostat. If the temperature in the room is higher than the temperature selected on the fire, then the thermostat will stop the heater from turning on. For example, if the room temperature is 72°F or above and the fires heater is set at 72°F, then the heater will not be required until the room temperature drops below 72°F. If this is the case select a higher temperature setting than the room's temperature and the heater will begin to operate. The safety cut-out may have been operated. Switch the appliance off, leave for two minutes then switch back on.
shuts off after a period of time	Check that the temperature is not set onto the lower settings. If the room is warm enough the thermostat will stop the fire switching the heat on.  Check that the chimney/flue is blocked off.  Check that the window detection sensor has not activated.

## // 14.0 SPARES

Refer to Section 3.0 Appliance Data for lamp specification. Excluding lamps, use only genuine manufacturers spare parts available from your supplier.

## // 15.0 SERVICING

This appliance is supplied with a E253075 3-pin plug. Should the fuse require replacing, it must be replaced with a E253075 plug. In the event of the mains plug being removed/replaced for any reason, please note :

**The wires in the mains lead are coloured in accordance with the following code:**

Blue	Neutral
Brown	Live
Green/Yellow	Earth

As the colours of the wires in the mains lead of this appliance may not correspond with the colour markings identifying the terminals in your plug, proceed as follows.

The blue wire must be connected to the terminal marked with an N or coloured black. The brown wire must be connected to the terminal marked with an L or coloured red. The green/yellow wire must be connected to the earth terminal which is marked with an E or with the earth symbol.

**NOTE:** If a moulded plug is fitted and has to be removed take great care in disposing of the plug and severed cable, it must be destroyed to prevent engaging into a socket. Refer to Section 3.0, Appliance Data for fuse specification. Excluding fuses, use only genuine manufacturers spare parts available from your supplier. *There are no internal user serviceable parts.*



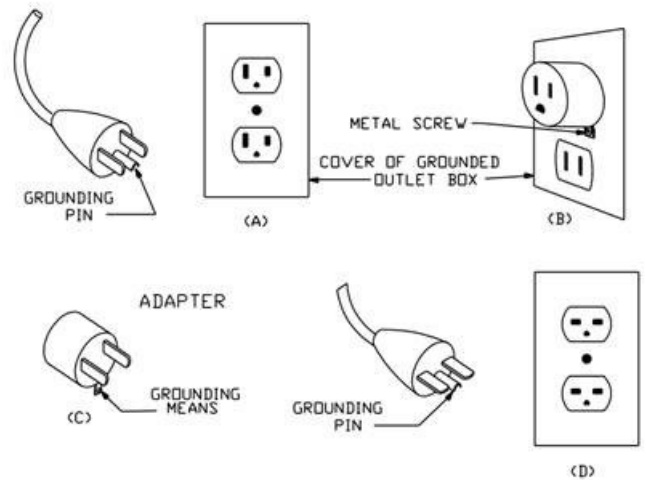
Never connect live or neutral wires to the earth terminal of the plug.

This heater is for use on 120 volts. The cord has a plug as shown at A in Figure below. An adapter as shown at C is available for connecting three-blade grounding-type plugs to two-slot receptacles. The green grounding plug extending from the adapter must be connected to a permanent ground such as a properly grounded outlet box.

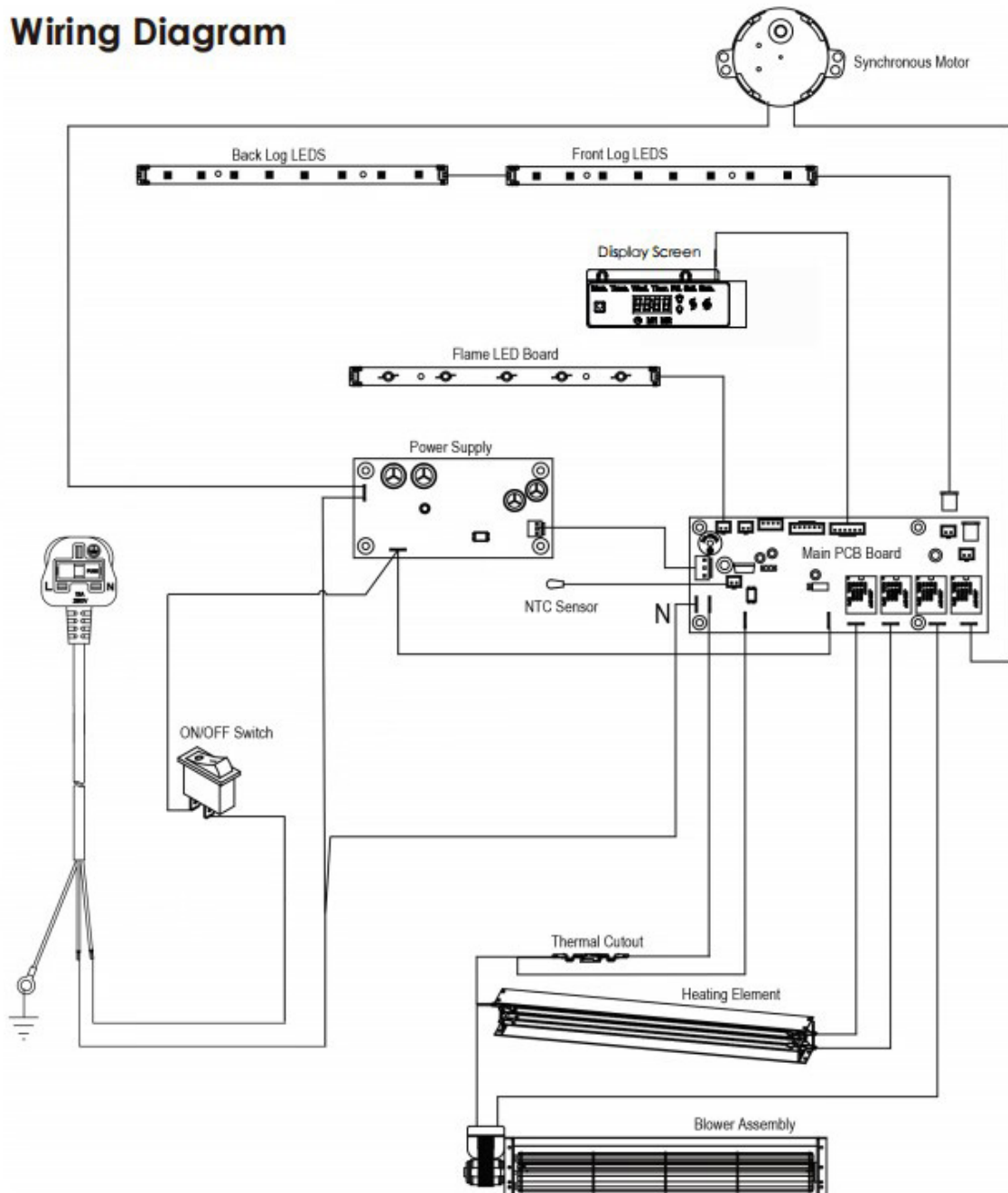
The adapter should not be used if a three-slot grounded receptacle is available.

NOTE: Adaptors are NOT for use in Canada.

**Figure 60.1**  
Grounding methods



## Wiring Diagram



## // 16.0 HARD WIRING

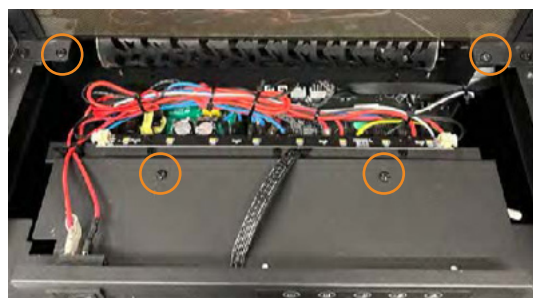
1. Open the door of the appliance and remove the 2x screws holding the fuel bed cover bracket in place, with a phillips headed screw driver (there is also a stud at the rear of the bracket locating to the rear of the appliance)



2. Remove 1x screw from both sides of the fuel bed. Remove the fuel bed from the rear first then out, as the front of the fuel bed is under the rear of the control panel.



3. Remove the 2x screws from the middle of the heater assembly and 1x screw from both sides, in front of the glass panel.



4. Now, remove the 18x screws from the rear panel.

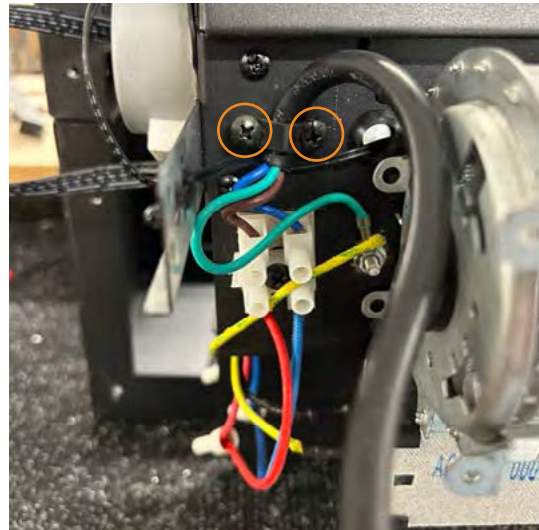


5. Carefully, remove the heater assembly from the rear of the appliance, making sure that the wires or any parts of the assembly don't get caught on removal.



## // 16.0 HARD WIRING

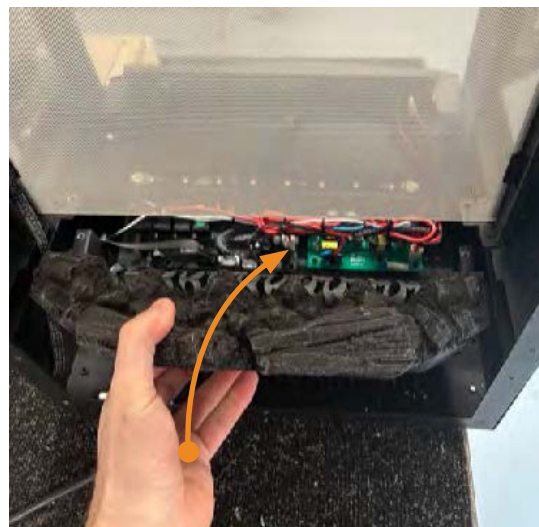
6. Remove the 2x phillips head screws from the cable clamp on the underside of the heater assembly.
7. With a fine flat head screw driver remove the Neutral and Live from the terminal. Then with a 9/32" wrench remove the Earth wire.
8. Remove the cable gland from the power cord. Then insert the hard wire from the property through the cable gland and onto the earth terminal first, followed by the Neutral and Live terminals. Screw the cable clamp back into position, clamping down on the wires.



9. To check the appliance, turn the power on to the appliance then turn the standby button ON. Once the appliance is turned on there will be an audible beep to confirm that power is going to the appliance. If there is found not to be any power to the appliance, this must be rectified before continuing. Once power has been confirmed to the appliance turn the power to the appliance back off again.

Cable tie any loose wires so they are not able to come into contact with any moving parts.

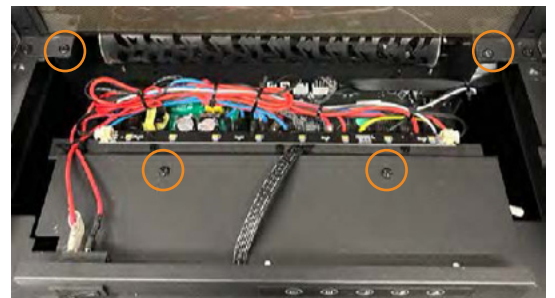
10. Carefully, insert the heater assembly in through the rear of the appliance, making sure that the wires or any parts of the assembly don't get caught on reinstallation.



**11.** Then screw the 18x screws back through the rear panel and into the rear of the firebox.



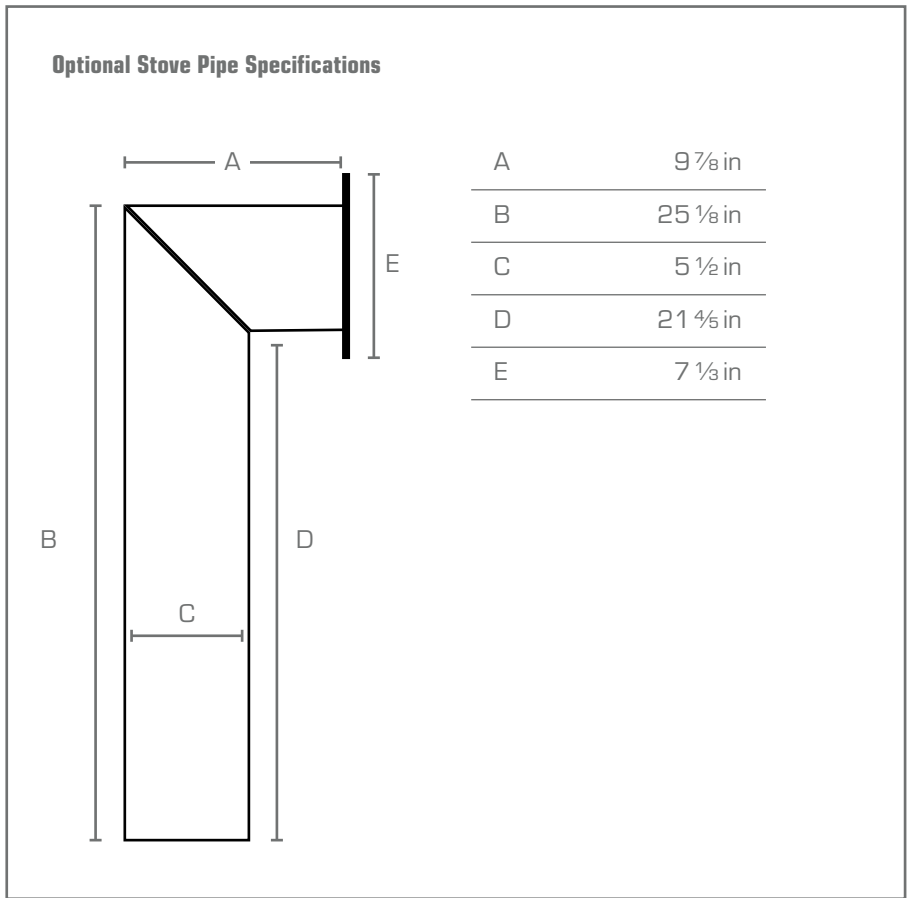
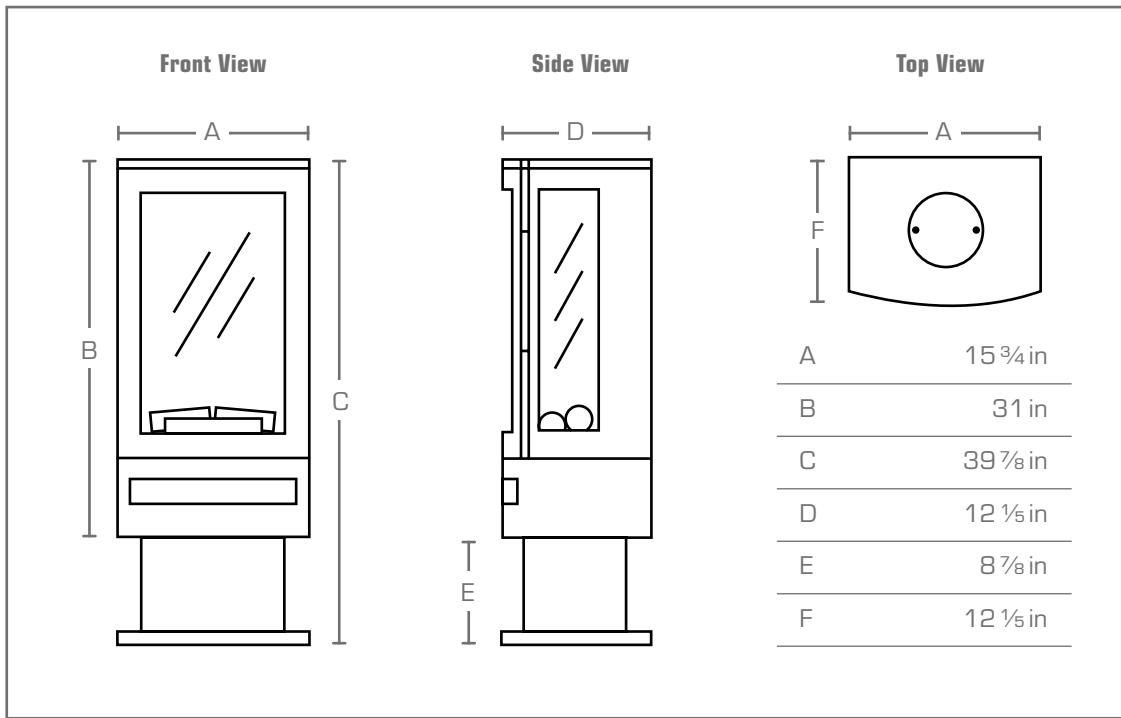
**12.** Insert the 2x screws back into the middle of the heater assembly and 1x screw into each side, in front of the glass panel..



**12.** Insert the fuel bed, in at the front first followed by the rear. Then screw the fuel bed down both sides. Insert the fuel bed cover bracket into the rear, then screw them back down each side



# // 17.0 BRAMSHAW DIMENSIONS



## // 17.0 TWO YEAR LIMITED WARRANTY

### Products to which this limited warranty applies

This limited warranty applies to your newly purchased British Fires Electric product. This limited warranty applies to the original purchaser of the product only and is not transferable.

### Terms & Conditions

Products covered by this limited warranty have been tested and inspected prior to shipment. Subject to the provisions of this warranty, British Fires warrants such products to be free from defects in material and workmanship for a period of two years from the date of the first purchase.

British Fires is not responsible for the labour costs to remove defective parts or reinstall repaired or replacement parts.

The limited 2 years warranty period for products also applies to any implied warranties that may exist under applicable law. Some jurisdictions do not allow limitations on how long an implied warranty lasts, so the above limitation may not apply to the purchaser.

Any part that is provided under the warranty to repair any defect will continue to be covered under the existing warranty which commenced from the original purchase date. For avoidance of doubt, the guarantee period will not be extended even if we repair or replace a component.

### What this limited warranty does not cover

This limited warranty does not apply to products that have been repaired (except by its authorized service representatives) or otherwise altered. This limited warranty does further not apply to defects resulting from misuse, abuse, accident, neglect, incorrect

installation, improper maintenance or handling, or operation with an incorrect power source.

### What British Fires and its dealers and service agents are also not responsible for:

In no event will British Fires or its Directors, Officers, or Agents, be liable to the purchaser or any third party. Whether in contract, in tort, or on any other basis, for any indirect, special, punitive, exemplar, consequential, or incidental loss, cost, or damage arising out of or in connection with the sale, maintenance, use or inability to use the product, even if British Fires or its Directors, Officers, or Agents have been advised of the possibility of such losses, costs or damages, or if such losses, costs, or damages are foreseeable. Some jurisdictions do not allow the exclusion or limitation of incidental or consequential damages, so the above limitation or exclusion may not apply to the purchaser.

### How State and Provincial law apply

This limited warranty gives you specific legal rights, and you may also have other rights which vary from jurisdiction to jurisdiction. The provisions of the United Nations Convention on Contracts for the Sale of Goods shall not apply to this limited warranty or the sale of products covered by this limited warranty.



Miles Industries  
#190, 2255 Dollarton Hwy  
North Vancouver  
British Columbia  
V7H 3B1



1.604.984.3496



Waste electrical appliances should not be disposed of with household waste. Please recycle where facilities exist. Check with your local authority or retailer for recycling advice.

As our policy is one of continuous improvement and development, we therefore, hope that you will understand we must retain the right to amend details and/or specifications without prior notice.



# BRITISH FIRES



This product is only suitable for well insulated spaces or occasional use. Please note: Except where otherwise stated, all rights, including copyright in the text, images and layout of this booklet is owned by British Fires. You are not permitted to copy or adapt any of the content without the prior written permission of British Fires.  
© 2023 British Fires Ltd.

Models covered  
by these instructions:  
Bramshaw LED  
Electric Stove  
HS93382CR  
HS93382LR

All instructions must be  
handed to the user for  
safekeeping.  
Revision A - 05/23

British Fires Ltd.  
Unit 10 Avon Trading Park  
Christchurch, Dorset  
BH23 2BT,  
United Kingdom

RBK House  
Irishtown, Athlone  
Co. Westmeath  
N37 XP52, Ireland

T: 0808 169 9911  
W: [britishfires.com](http://britishfires.com)  
E: [sales@britishfires.com](mailto:sales@britishfires.com)